

ROEQ TR850 Auto Top Roller for Continental IL 1200



The ROEQ TR850 Auto allows you to use your Continental mobile robot to transfer heavy goods between conveyor stations at different heights. It has a built-in scissor mechanism for automatic height adjustments. With a large stroke – 240 mm/9.4” – it gives you the flexibility to adjust to your existing setup.



Features

- Height adjustment is automated, so no manual intervention required
- Scissor mechanism adjusts the height automatically
- Features a stroke of 240 mm/9.4”
- Built-in barriers on rollers protect fingers
- The flat top allows transfer of wide loads which extend over the sides. Side bars can be purchased, if required.
- Built-in position sensor confirms correct position of robot before transfer of goods
- Two package function – can handle and deliver two packages individually
- Cargo sensors in the front and back ensure safe transfer and transport of cargo
- Compatible with ROEQ GuardCom System for additional safety and quick transfer to/from conveyor stations. Wireless communication without reliance on Wi-Fi
- Long Cargo Kit available for safe transfer of long loads

Specifications

Robot compatibility:
Continental IL 1200

ROEQ product compatibility:
GuardCom System

Payload:
850 kg

Size: (L x W):
1435 x 1097 mm

Cargo area:
1320 x 1066 mm

Note: Loads can extend over the sides.
Add the Long Cargo Kit for longer loads.

Height from floor to rollers:
540–780 mm

Stroke:
240 mm

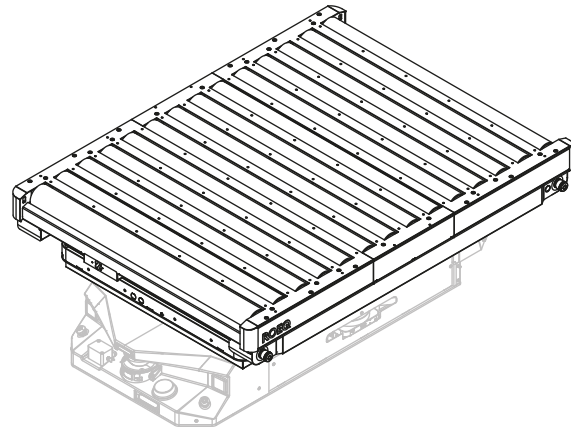
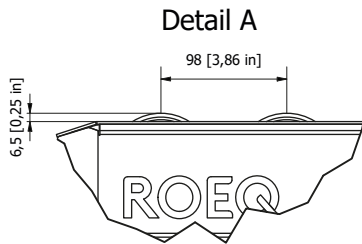
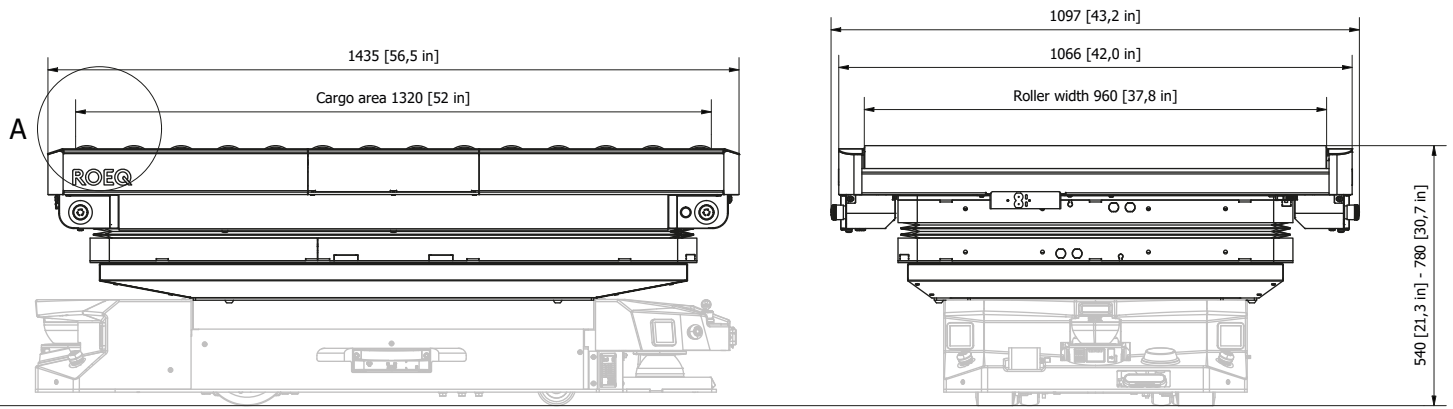
Sensors:
Position sensors and cargo sensor









*Specifications and features may change
prior to product launch*

Use the ROEQ GuardCom
to improve cycle time and
decrease downtime



ROEQ
ROBOTIC EQUIPMENT



Product no.	Product name	Description	
700s3000	TR850 Auto	Top roller with auto adjustable height	
273a1000	GuardCom	GuardCom unit to mount on static conveyor, for efficient and safe transfer of goods	 
273a2000	GuardCom Connect	Communication unit to mount on top rollers. Wireless communication with GuardCom, not using Wi-Fi	
700s4100	Side Bars	For additional safety, when loads do not exceed the width of the roller area suitable for US and Euro pallets	
700s4200	Long Cargo Kit	For safe transfer of long cargo	
700s4300	Height Kit Low	For increasing the height of TR850 Auto. Height Kit Low: 50 mm. Height Kit High: 150 mm	
700s4400	Height Kit High	These two kits can be combined to reach the height that you need.	

[Visit roeq.dk](http://roeq.dk)