

TR125 Auto TR125 Auto 250 Top Rollers



The ROEQ TR125 Auto/ TR125 Auto 250 is an auto-adjustable top roller for the MiR100 and MiR200 / MiR250. It enables you to schedule pick-up and delivery tasks between stationary conveyor stations at different heights with no manual intervention. Using the ROEQ Assist software, you easily set the different heights of pick-up and delivery points.

All ROEQ top modules come with ROEQ Assist software that includes setup tools, making it easy for you to quickly get your solution up and running. The software creates missions and sets the robot footprint.

Specifications

Robot compatibility:

TR125 Auto: MiR200
TR125 Auto 250: MiR250

ROEQ product compatibility:

DS Standalone, GuardCom System

Payload:

125kg/276lbs

Size (l x w):

925mm x 580mm / 36.4 x 22.8

Height from floor to rollers:

TR125 Auto: 660mm-860 mm / 26-33.9
TR125 Auto 250: 600mm-800 mm / 23.6-31.5

Roller area:

800mm x 485mm / 31.5 x 19.1

Weight:

TR125 Auto: 120kg/265lbs
TR125 Auto 250: 130kg/287lbs

Stroke:

200mm / 7.87"

Position when in transit:

Lowest position (Note: the TR125 Auto 250 can drive a reduced speed with the lifter raised)

Sensors:

Position sensor and cargo sensors

Roller speed:

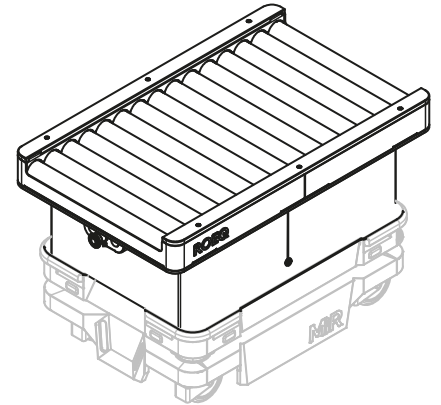
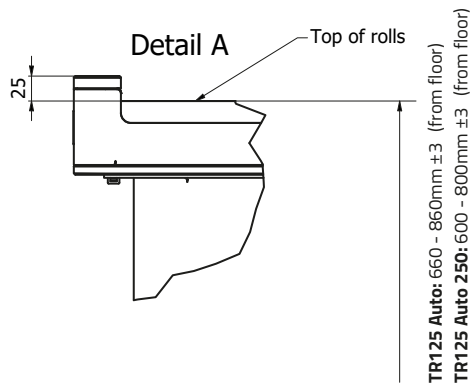
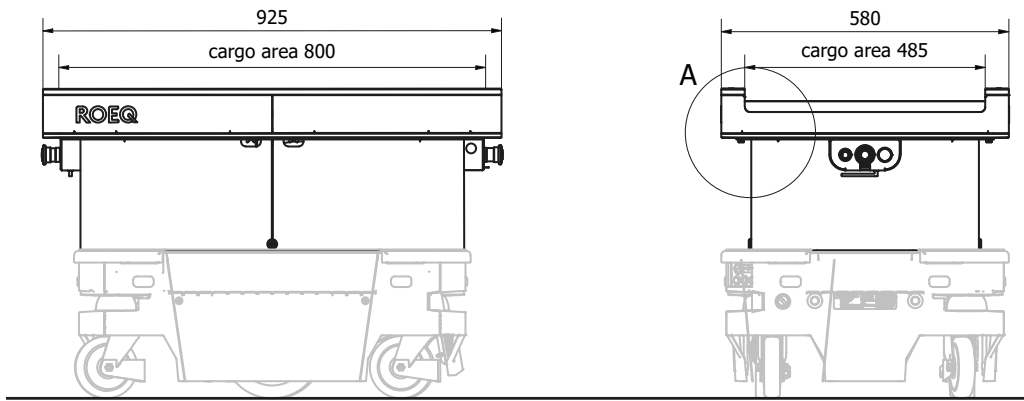
Can be adjusted between 0.037m/s – 0.29m/s







Features

- Works with conveyor systems of different heights
- Fully automatic, no manual intervention required
- Features a stroke of 200mm/7.87" for flexibility
- Built-in barriers on rollers protect fingers
- Built-in sensor confirms correct position of robot before transfer of goods
- Cargo sensors in the front and back ensure safe transfer and transport of cargo
- Compatible with ROEQ GuardCom system for additional safety and quick transfer of loads to/from conveyor stations. Wireless communication without reliance on WiFi

Use the ROEQ GuardCom for additional safety when transferring loads





Product no.	Product name	Description	
265a5500	TR125 Auto	Top roller with automatic height adjustment from 660 mm to 860 mm.	
281a5500	TR125 Auto 250	Top roller with autadjustable height from 600 to 800 mm Payload 125 kg	
273a1000	GuardCom	GuardCom unit to mount on stationary conveyor. Wireless communication, not using Wi-Fi	 
273a2000	GuardCom Connect	Communications unit to mount on top rollers. Wireless communication with GuardCom, not using Wi-Fi	
265a5040	DS Standalone	Floor mounted docking station for top roller series TR125, TR500 and TR1000	

Visit roeq.dk for more information or to see films of products in action.

Contact your local ROEQ Partner for more guidance